



ZHM 230

Monocrystalline Solar Module

- Certificate: TUV, VDE, MCS, IEC 61215/61730, UL1703, CEC, CE, ISO
- 5 years product defect warranty
25 years power output warranty: 90% in 10 years, 80% of 25 years
Entire module certified to withstand high wind loads(2400 Pascal) and snow loads(5400 Pascal)
- Power tolerance: 0~+3%
- Cell: High efficiency solar cells
Junction Box: MC4 connector
TPT back sheet
3.2mm high transmission tempered glass
- Anodized aluminum alloy frame (Available
Depth: 35/45/50mm)



UE Solar Co., Ltd is a manufacturer of high quality mono- and multi-crystalline silicon PV modules in East China. We have the annual capacity of 200MW by April, 2010. Our 860 research staff and workers dedicate themselves to providing inexhaustible and renewable energy to human being.

Electrical Performance

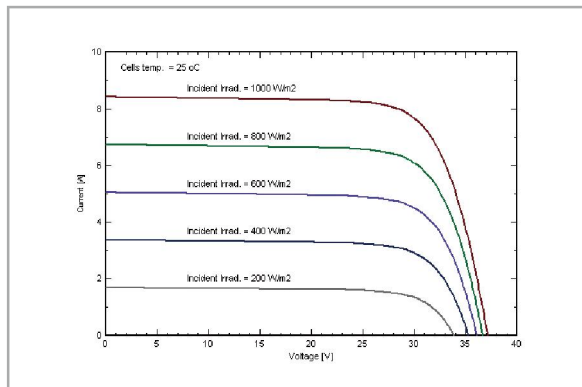
ZHM-230			ZHM250	ZHM245	ZHM240	ZHM235	ZHM230	ZHM225	ZHM220	ZHM215	ZHM210	ZHM205
Peak power	Pmax	Wp	250	245	240	235	230	225	220	215	210	205
Maximum power voltage	Vmp	V	31.1	30.9	30.7	30.4	30.1	30.0	29.8	29.3	29	28.7
Maximum power current	Imp	A	8.04	7.93	7.82	7.73	7.65	7.50	7.39	7.34	7.25	7.15
Short circuit current	Isc	A	8.84	8.73	8.61	8.51	8.42	8.25	8.13	8.08	7.98	7.87
Open circuit voltage	Voc	V	38.38	38.13	37.89	37.52	37.15	37.01	36.78	35.46	35.09	34.73
Cell efficiency	%		17.35	17.00	16.66	16.31	15.96	15.61	15.27	14.92	14.57	14.23
Module efficiency	%		15.40	15.09	14.78	14.47	14.17	13.86	13.55	13.24	12.93	12.63

Standard Test Condition: (STC)STC: T=25 AM=1.5 E=1000W/m²

Working Conditions & Parameter

Maximum system Voltage (V)	1000 V
Power tolerance	0~+3%
Cell dimension	156*156mm
Number of cells / Layout	60pcs. /10*6
NOCT cell	48 °C ± 2 °C
Temperature coefficient Isc (%)	+0.04±0.015 % / °C
Temperature coefficient Voc (%)	- (0.35±0.02) % / °C
Temperature coefficient Pm (%)	- (0.5±0.05) % / °C
Temperature coefficient Im (%)	+0.04% / °C
Temperature coefficient Vm (%)	-0.38% / °C
Operating temperatures	-40°C ~+90 °C
Surface pressure	60m/s (200kg /m ²)

I-V Curve



Length	Width	Depth	Weight
1640mm	990mm	50mm	20Kg

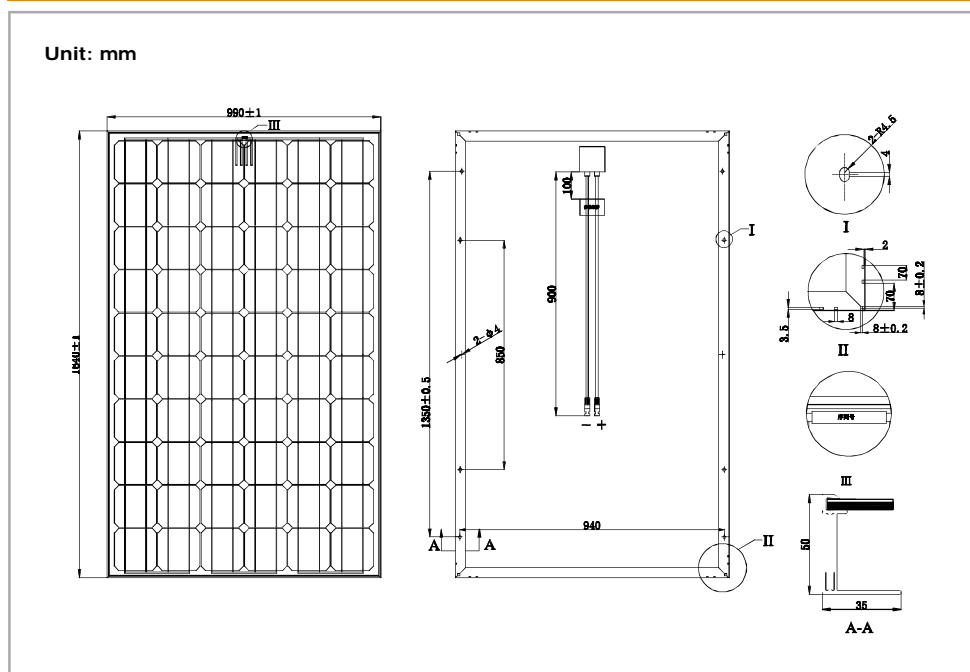
New Packaging

23 modules / 1 cardboard box(up)
 20 modules / 1 cardboard
 box(down)
 1 cardboard box/ 1 pallet

Container loading capacities

Container 40" (HIGH): 559
 modules / 26 pallets

Front View And Back View



UE Solar Co., Ltd All rights reserved.

Specification and designs included in this are subject to change without notice