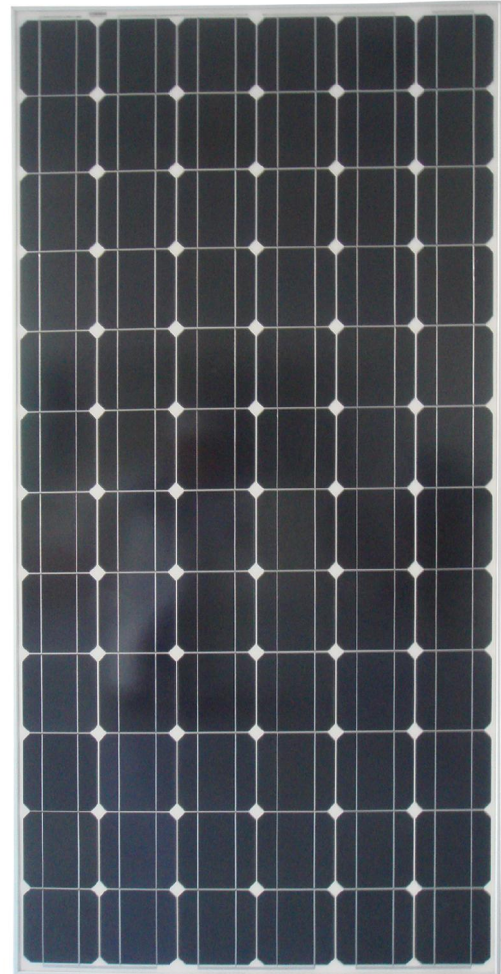




ZHM 280

Monocrystalline Solar Module

- Certificate: TUV, VDE, MCS, IEC 61215/61730, UL1703, CEC, CE, ISO
- 5 years product defect warranty
25 years power output warranty: 90% in 10 years, 80% of 25 years
Entire module certified to withstand high wind loads(2400 Pascal) and snow loads(5400 Pascal)
- Power tolerance: 0~+3%
- Cell: High efficiency solar cells
Junction Box: MC4 connector
TPT back sheet
3.2mm high transmission tempered glass
- Anodized aluminum alloy frame (Available
Depth: 35/45/50mm)



UE Solar Co., Ltd is a manufacturer of high quality mono- and multi-crystalline silicon PV modules in East China. We have the annual capacity of 200MW by April, 2010. Our 860 research staff and workers dedicate themselves to providing inexhaustible and renewable energy to human being.

Electrical Performance

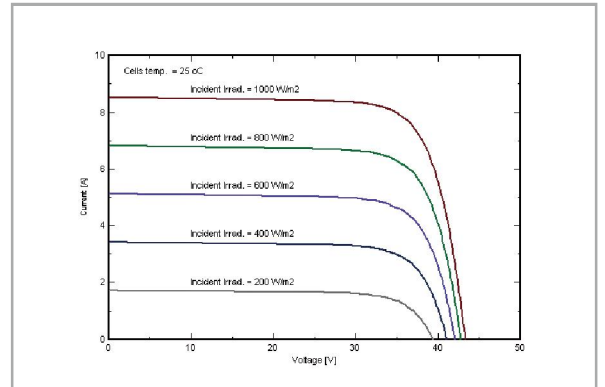
ZHM-280			ZHM305	ZHM300	ZHM295	ZHM290	ZHM285	ZHM280	ZHM275	ZHM270	ZHM265	ZHM260	ZHM255
Peak power	P _{max}	Wp	305	300	295	290	285	280	275	270	265	260	255
Maximum power voltage	V _{mp}	V	37.3	37.1	36.9	36.8	36.4	36.1	35.8	35.5	35.3	35.1	34.7
Maximum power current	I _{mp}	A	8.18	8.09	7.99	7.88	7.83	7.76	7.68	7.60	7.51	7.41	7.35
Short circuit current	I _{sc}	A	9.07	8.90	8.79	8.67	8.61	8.53	8.45	8.36	8.26	8.15	8.08
Open circuit voltage	V _{oc}	V	45.92	44.53	44.29	44.17	43.68	43.32	42.96	42.6	42.36	42.12	41.64
Cell efficiency		%	17.64	17.35	17.06	16.77	16.48	16.19	15.90	15.61	15.33	15.04	14.75
Module efficiency		%	15.80	15.54	15.28	15.02	14.76	14.50	14.25	13.99	13.73	13.47	13.21

Standard Test Condition: (STC)STC: T=25°C AM=1.5 E=1000W/m²

Working Conditions & Parameter

Maximum system Voltage (V)	1000 V
Power tolerance	0~+3%
Cell dimension	156*156mm
Number of cells / Layout	72pcs. /12*6
NOCT cell	48 °C ± 2 °C
Temperature coefficient I _{sc} (%)	+0.04±0.015 % / °C
Temperature coefficient V _{oc} (%)	- (0.35±0.02) % / °C
Temperature coefficient P _m (%)	- (0.5±0.05) % / °C
Temperature coefficient I _m (%)	+0.04% / °C
Temperature coefficient V _m (%)	-0.38% / °C
Operating temperatures	-40°C ~+90 °C
Surface pressure	60m/s (200kg /m ²)

I-V Curve



Length	Width	Depth	Weight
1950mm	990mm	50mm	24Kg

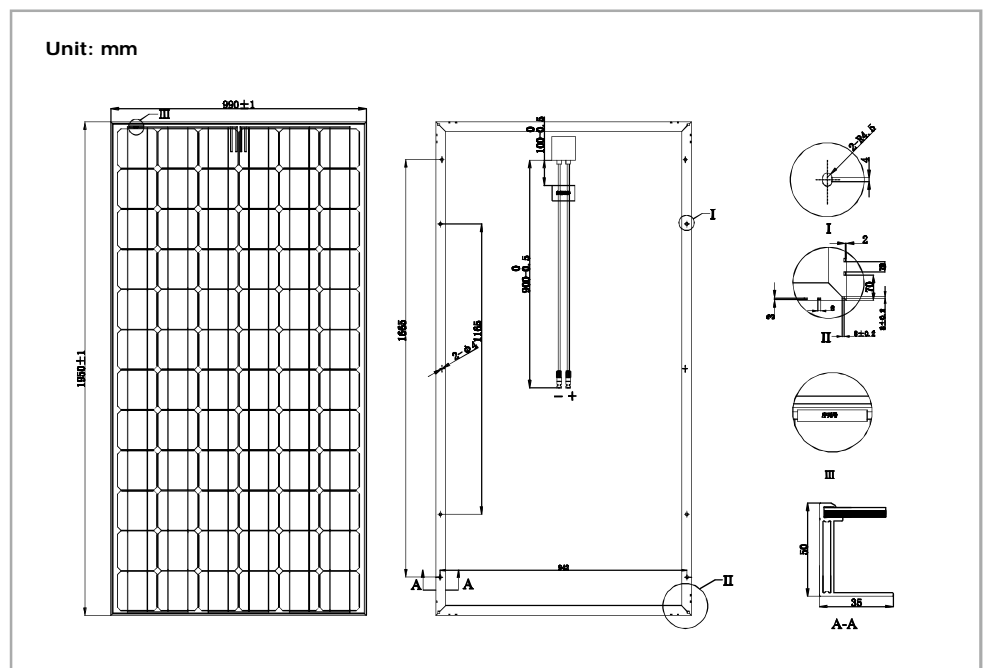
Packaging

2 modules / 1 cardboard box
17 cardboard boxes / 1 pallet

Container loading capacities

Container 20" : 170 modules / 5 pallets
Container 40" : 374 modules / 11 pallets

Front View And Back View



UE Solar Co., Ltd All rights reserved.

Specification and designs included in this are subject to change without notice